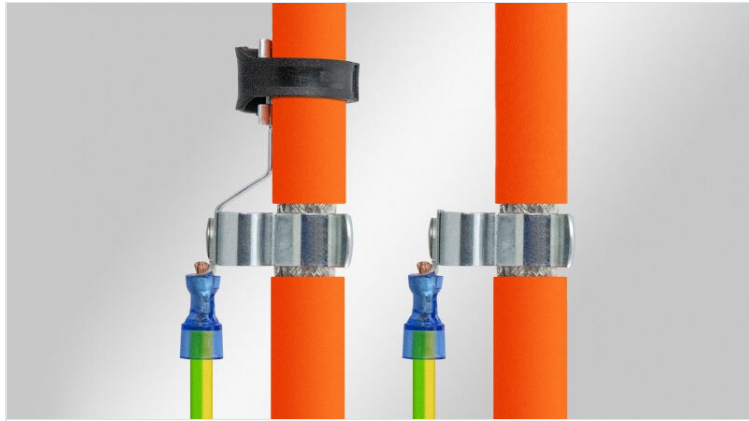


# EMC shield clamps on cable lugs

with or without integrated cable fixing function



EMC shield clamps are used, where the shield of cables must be connected to the earth potential. They are easy to use and effective in earthing single cable shields. The shield clamps are mounted on ring cable lugs which can be crimped on PE conductors.

The RCLZ-M shield clamps allow a secure fixing of the cable with cable ties.

The size of the ring cable lug diameter is shown by differing colours:

- Red: 0.5 - 1.5 mm<sup>2</sup>
- Blue: 1.0 - 2.5 mm<sup>2</sup>
- Yellow: 4 - 6 mm<sup>2</sup>



RoHS  
compliant



Made in  
Germany

## Specifications

<b>Material</b>	Shield clamp: Spring steel, zinc plated Mounting foot: Polycarbonate
<b>Operating temperature</b>	-30 C° to 120 C°
<b>Properties</b>	vibration proof
<b>Mounting options</b>	Clamping

## Advantages & benefits

- Large contact area
- The spring design requires no adjustments and will permanently maintain contact to the cable shield
- Shock and vibration resistant, maintenance free
- UL listed

## Product types & sizes

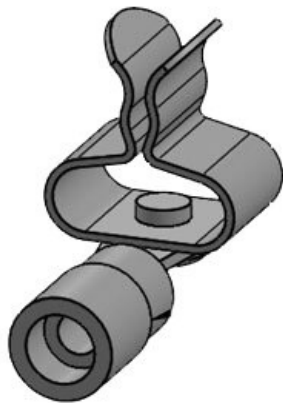
RCL 0.5-1.5mm<sup>2</sup>|SKL 1.5-3



Part No.	<b>36296.1</b>	Length	<b>20 mm</b>
EAN	<b>4251269319</b>	Width	<b>11,8 mm</b>
	<b>655</b>	Height	<b>17,8 mm</b>
Package quantity	<b>25</b>		
No. of shield clamps	<b>1</b>		
For max. no. of cables	<b>1</b>		
Min. shield diam.	<b>1,5 mm</b>		
Max. shield diam.	<b>3 mm</b>		



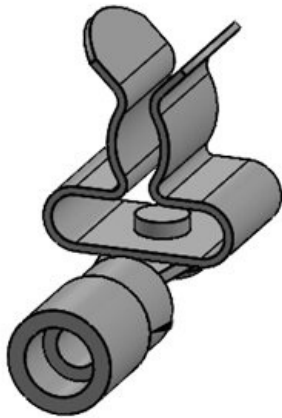
Part No.	<b>36296.2</b>	Length	<b>20 mm</b>
EAN	<b>4251269319</b>	Width	<b>14,9 mm</b>
	<b>662</b>	Height	<b>25,4 mm</b>
Package quantity	<b>25</b>		
No. of shield clamps	<b>1</b>		
For max. no. of cables	<b>1</b>		
Min. shield diam.	<b>3 mm</b>		
Max. shield diam.	<b>12 mm</b>		



Part No.	<b>36297.1</b>	Length	<b>21 mm</b>
EAN	<b>4251269319</b>	Width	<b>11,8 mm</b>
	<b>679</b>	Height	<b>18,2 mm</b>
Package quantity	<b>25</b>		
No. of shield clamps	<b>1</b>		
For max. no. of cables	<b>1</b>		
Min. shield diam.	<b>1,5 mm</b>		
Max. shield diam.	<b>3 mm</b>		

RCL 1.0-2.5mm<sup>2</sup>|SKL 3-6

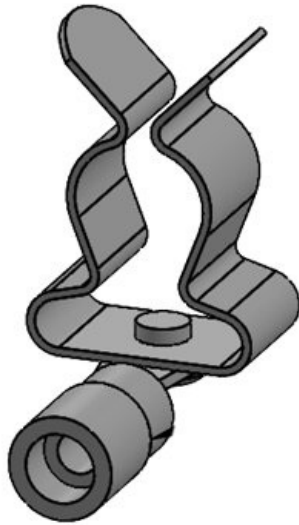
Part No.	<b>36297.3</b>	Length	<b>21 mm</b>
EAN	<b>4251269324</b>	Width	<b>11,8 mm</b>
	<b>161</b>	Height	<b>19 mm</b>
Package quantity	<b>25</b>		
No. of shield clamps	<b>1</b>		
For max. no. of cables	<b>1</b>		
Min. shield diam.	<b>3 mm</b>		
Max. shield diam.	<b>6 mm</b>		



RCL 1.0-2.5mm<sup>2</sup>|SKL 6-8

Part No.	<b>36297.4</b>	Length	<b>21 mm</b>
EAN	<b>4251269324</b>	Width	<b>11,8 mm</b>
	<b>178</b>	Height	<b>20 mm</b>
Package quantity	<b>25</b>		
No. of shield clamps	<b>1</b>		
For max. no. of cables	<b>1</b>		
Min. shield diam.	<b>6 mm</b>		
Max. shield diam.	<b>8 mm</b>		





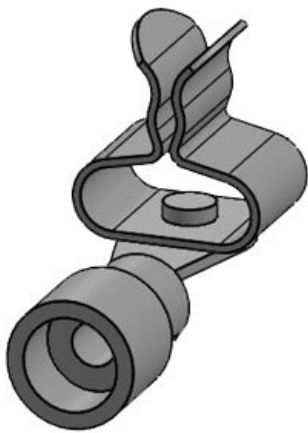
Part No.	<b>36297.5</b>	Length	<b>21 mm</b>
EAN	<b>4251269324</b>	Width	<b>14 mm</b>
	<b>185</b>	Height	<b>25 mm</b>
Package quantity	<b>25</b>		
No. of shield clamps	<b>1</b>		
For max. no. of cables	<b>1</b>		
Min. shield diam.	<b>8 mm</b>		
Max. shield diam.	<b>11 mm</b>		



Part No.	<b>36297.2</b>	Length	<b>21 mm</b>
EAN	<b>4251269319</b>	Width	<b>14,9 mm</b>
	<b>686</b>	Height	<b>25,8 mm</b>
Package quantity	<b>25</b>		
No. of shield clamps	<b>1</b>		
For max. no. of cables	<b>1</b>		
Min. shield diam.	<b>3 mm</b>		
Max. shield diam.	<b>12 mm</b>		

RCL 4-6mm<sup>2</sup>|SKL 1.5-3

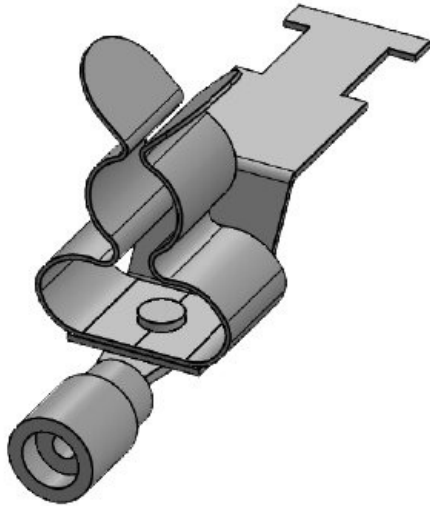
Part No.	<b>36298.1</b>	Length	<b>24 mm</b>
EAN	<b>4251269319</b>	Width	<b>11,8 mm</b>
	<b>693</b>	Height	<b>19,1 mm</b>
Package quantity	<b>25</b>		
No. of shield clamps	<b>1</b>		
For max. no. of cables	<b>1</b>		
Min. shield diam.	<b>1,5 mm</b>		
Max. shield diam.	<b>3 mm</b>		



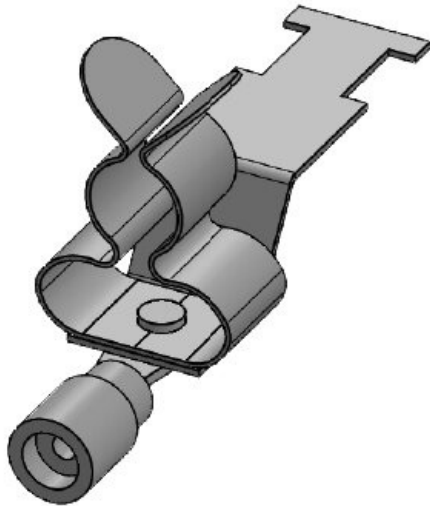
RCL 4-6mm<sup>2</sup>|MSKL 3-12

Part No.	<b>36298.2</b>	Length	<b>24 mm</b>
EAN	<b>4251269319</b>	Width	<b>14,9 mm</b>
	<b>709</b>	Height	<b>26,7 mm</b>
Package quantity	<b>25</b>		
No. of shield clamps	<b>1</b>		
For max. no. of cables	<b>1</b>		
Min. shield diam.	<b>3 mm</b>		
Max. shield diam.	<b>12 mm</b>		





Part No.	<b>36301.2</b>	Length	<b>45,5 mm</b>
EAN	<b>4251269322</b>	Width	<b>15 mm</b>
	<b>327</b>	Height	<b>26 mm</b>
Package quantity	<b>25</b>		
No. of shield clamps	<b>1</b>		
For max. no. of cables	<b>1</b>		
Min. shield diam.	<b>3 mm</b>		
Max. shield diam.	<b>12 mm</b>		



Part No.	<b>36302.2</b>	Length	<b>46,5 mm</b>
EAN	<b>4251269322</b>	Width	<b>15 mm</b>
	<b>334</b>	Height	<b>26 mm</b>
Package quantity	<b>25</b>		
No. of shield clamps	<b>1</b>		
For max. no. of cables	<b>1</b>		
Min. shield diam.	<b>3 mm</b>		
Max. shield diam.	<b>12 mm</b>		

Part No.	<b>36303.2</b>	Length	<b>49,5 mm</b>
EAN	<b>4251269322</b>	Width	<b>15 mm</b>
	<b>341</b>	Height	<b>27 mm</b>
Package quantity	<b>25</b>		
No. of shield clamps	<b>1</b>		
For max. no. of cables	<b>1</b>		
Min. shield diam.	<b>3 mm</b>		
Max. shield diam.	<b>12 mm</b>		

